

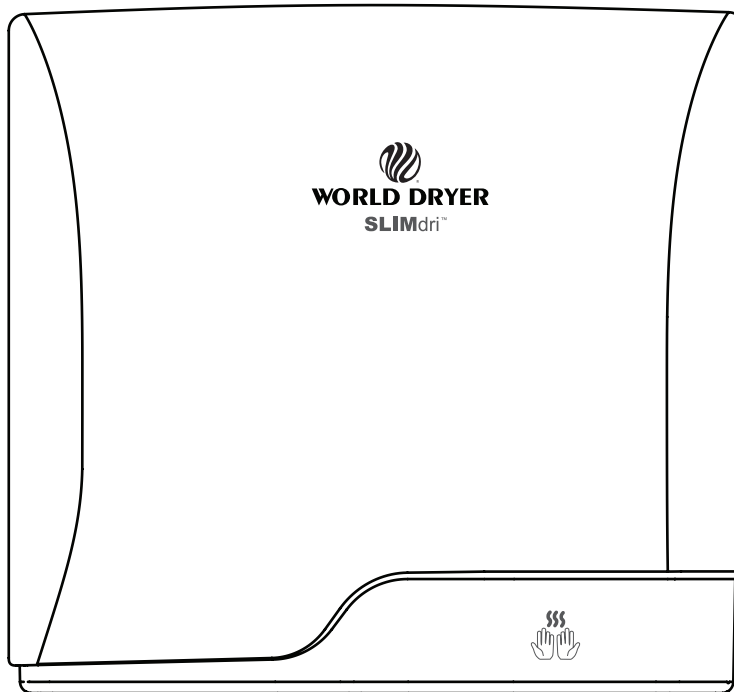
# SLIMdri™

## Surface-Mounted ADA Compliant Hand Dryer

Secamanos inteligente altamente eficiente  
Sèche-mains intelligent à haute efficacité



All "L" Series  
Todos los modelos L  
Ensemble de la série L



**Please read and save these instructions. Read carefully before attempting to assemble, install, operate or service the product described. Protect yourself and others by observing all safety information. Failure to comply with instructions could result in personal injury and/or property damage. Retain instructions for future reference.**

Por favor lea y guarde estas instrucciones. Léelas cuidadosamente antes de tratar de montar, instalar, operar o dar mantenimiento al producto aquí descrito. Protéjase usted mismo y a los demás observando toda la información de seguridad. No seguir las instrucciones puede ocasionar daños, tanto personales como materiales. Guarde estas instrucciones para referencia en el futuro.

Lire et conservez ces instructions. Les lire attentivement avant de commencer à assembler, installer, faire fonctionner, réparer ou entretenir l'appareil décrit. Pour se protéger et protéger autrui, observer toutes les consignes de sécurité. Le fait de négliger d'appliquer ces instructions peut entraîner des blessures et/ou des dommages matériels. Conserver ces instructions pour consultation ultérieure.



**World Dryer Corporation**


5700 McDermott Drive  
Berkeley, IL 60163 U.S.A.  
800-323-0701  
[www.worlddryer.com](http://www.worlddryer.com)

## Description

World warm air hand dryer is a surface-mounted ADA (American Disabilities Act) compliant dryer powered by a universal brush motor, and delivers up to 1000 watts of drying power. The dryer incorporates an integrated heating element with options for operation with, or without, heated air. An infrared sensor is used to automatically activate the dryer. These models are intended for use in commercial, industrial, office and public facility environments.

## Electrical Specifications

**Table 1**

Models	Type	Electrical Ratings	Certifications
L-XXX	Automatic	115 / 230 VAC 950W 60Hz 208 VAC 775W 60Hz	

## General Safety Information



### **DANGER**

Failure to disconnect the power source before installation or servicing can result in serious injury or death from electric shock.

- Always disconnect the power source before servicing or installing the hand dryer.



### **DANGER**

Failure to properly ground this unit could result in severe electrical shock and/or death.

- This hand dryer must be properly grounded for safe operation. An identified ground connection point is supplied on the hand dryer's wall base.
- We recommend GFCI protection in wet or damp locations or as required by local code.



### **WARNING**

Risk of fire, personal injury or property damage are possible if local codes, or safety recommendations are not followed.

- Installation and servicing should only be performed by qualified electrical technicians.
- Use only the electrical power (voltage and frequency) specified for the model hand dryer being installed. See Table 1 - Electrical Specifications.
- Connect the hand dryer to the nearest suitable distribution panel. The fixed wiring must include a disconnection means complying with local wiring codes.
- To limit a voltage drop, and insure efficient operation, use No.12 AWG wire or larger as required by local electrical codes.
- Always connect to a branch circuit with circuit breaker or fuse protection with an electrical rating greater than the model hand dryer's rated amperage shown in Table 1 - Electrical Specifications in accordance with the NEC (National Electrical Code) and/or CEC (Canadian Electrical Code).
- To avoid a hazard due to inadvertent resetting of the thermal cutout, the hand dryer must not be supplied through an external switching device, such as a timer, or connected to a circuit that is regularly switched on and off by the utility.
- Each automatic model hand dryer must have a dedicated circuit.
- Route all field wiring away from moving parts within the hand dryer.
- The NEC (National Electrical Code) and/or CEC (Canadian Electrical Code) require installation fittings with smooth, rounded surfaces for protection of power supply cables.



### **CAUTION**

Improper mounting could result in personal injury or property damage.

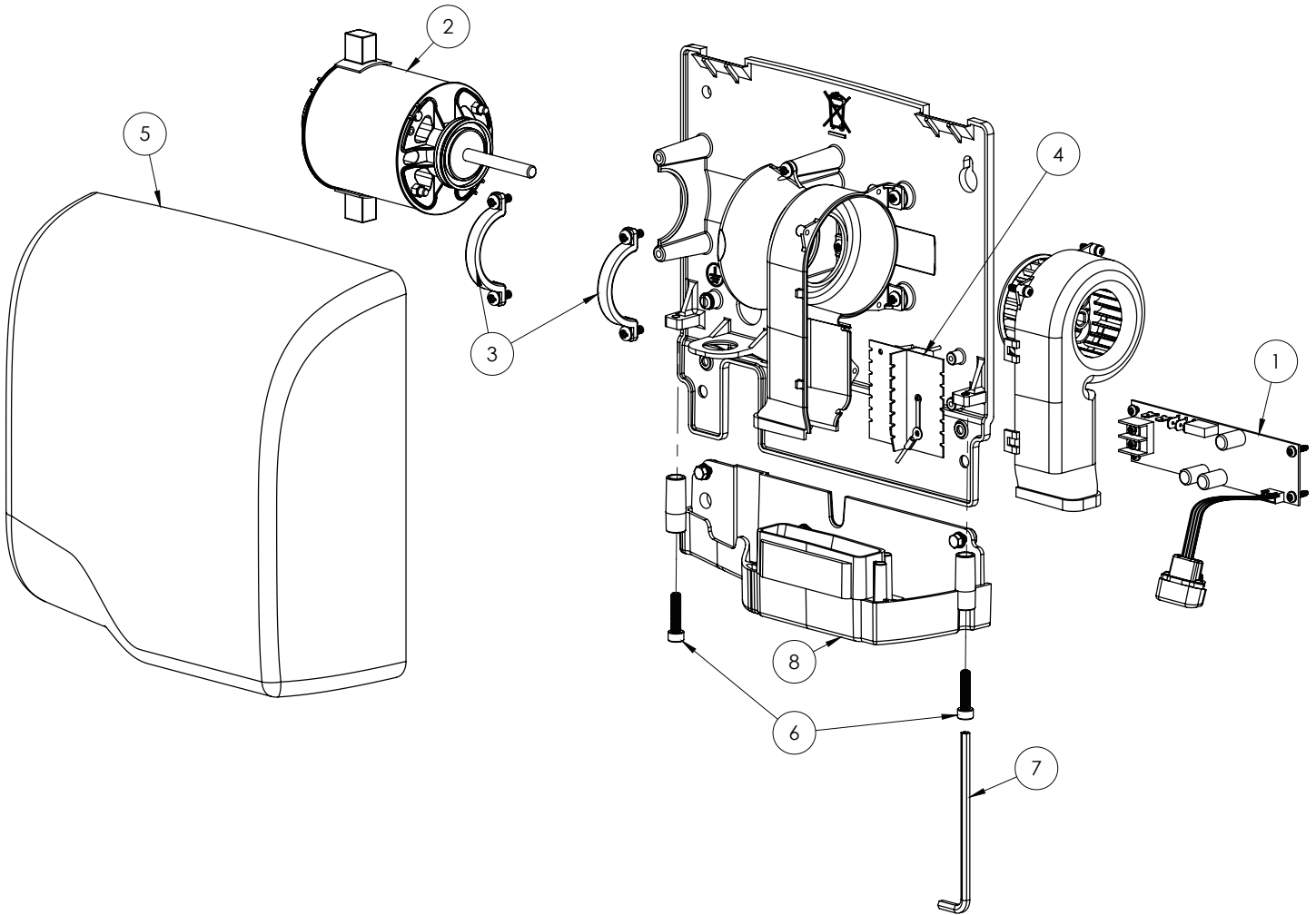
- Follow the mounting height recommendations in Table 2.
- On a stud wall, one side of the hand dryer should be mounted to an existing stud.

## Unpacking

1. Remove all packing material. Recycling is recommended.
2. Carefully remove the hand dryer from the shipping carton, using care not to drop the appliance.
3. Inspect carefully for any damage that may have occurred during transit. Check for any loose, missing or damaged parts. If the hand dryer is damaged, promptly inform the dealer where you purchased it.

# Parts List

## Repair Parts List For SLIMdri™ Hand Dryer



**All kits include fasteners needed for installation. Part Number for Cover Assy. (Reference Number 5) varies with model number for hand dryer.**

For Repair Parts, visit [www.WorldDryer.com](http://www.WorldDryer.com)  
Please provide following information:

- Model number
- Serial number
- Part description and number shown in parts list

#	Description	Part Number
1	Kit, Dryer Controls	16-10090K
2	Kit, Motor	32-120K
3	Kit, Motor Clamps	33-10082K
4	Kit, Heating Element	21-10091K
5	Cover Assy - Alum - White	20-L974
	Cover Assy - Alum - Polished Chrome	20-L970
	Cover Assy - Alum - Brushed Chrome	20-L971
	Cover Assy - Cast Iron - Porcelain Enamel	20-L976
6	Kit, Security Screws	46-04022K
7	Wrench, Security	56-10092
8	Kit, Bottom Tray / Grill - ( Models L-976)	28-10078K
	Kit, Bottom Tray / Grill - ( Models L-970, L-971 and L-974)	28-10088K

# Installation

1. Disconnect the power source.
2. Using Table 2 to determine the recommended mounting height, select a mounting location for the hand dryer where no reflective surfaces or objects (such as a hand basin) are directly under the infra-red sensor eye. The infra-red sensor eye is visible from the bottom of the dryer. The minimum mounting distance from bottom of the dryer to a reflective surface is 18 in (46 cm). When two or more dryers are installed, they should be spaced apart 24 in (61 cm)
3. Use the security hex key supplied to turn the cover mounting screws **clockwise** to remove the cover from the dryer.
4. Using the mounting template provided, mark locations for the 4 mounting bolt holes on the wall.
5. Fasten the base to the wall, using the type of bolts recommended in Table 3
6. Each dryer must have its own dedicated circuit.
7. Connect the dryer to the nearest suitable distribution panel.
8. Replace cover, turn screws **counter-clockwise** making certain not to over-tighten.

**IMPORTANT:** Consult local and general regulations before performing dryer installation. Ensure the electrical network is not overloaded. Always connect to a dedicated branch circuit with circuit breaker or fuse protection and an electrical rating greater than the model hand dryer's rated amperage shown in Table 1 - Electrical Specifications in accordance with the NEC (National Electrical Code) and/or CEC (Canadian Electrical Code).

**Table 2**

Recommended Mounting Heights from Floor to Dryer Bottom Edge	in. (cm.)
Men's washrooms	46 (117)
Women's washrooms	44 (112)
Children's washrooms, ages 4-7	32 (81)
Children's washrooms, ages 7-10	36 (91)
Children's washrooms, ages 10-13	40 (102)
Children's washrooms, ages 13-17	44 (112)
Handicap Mounting Height	37 (94)

**Table 3**

Type of Wall	Type of Bolt	Minimum Bolt Length
Hollow Tile, Lath, Wall Board or Metal	1/4" (M6) screw Type or Wing Type toggle Bolts	Dependent on wall thickness
Cement, Brick, or Tile Covered Cement or Brick	1/4" (M6) Stud Type Expansion Bolts	3" (76mm)
Stud Wall with wood Backing	No 16 (M8) Wood Screws	2 3/4" (70mm)

# Adjusting Heating Element Controls

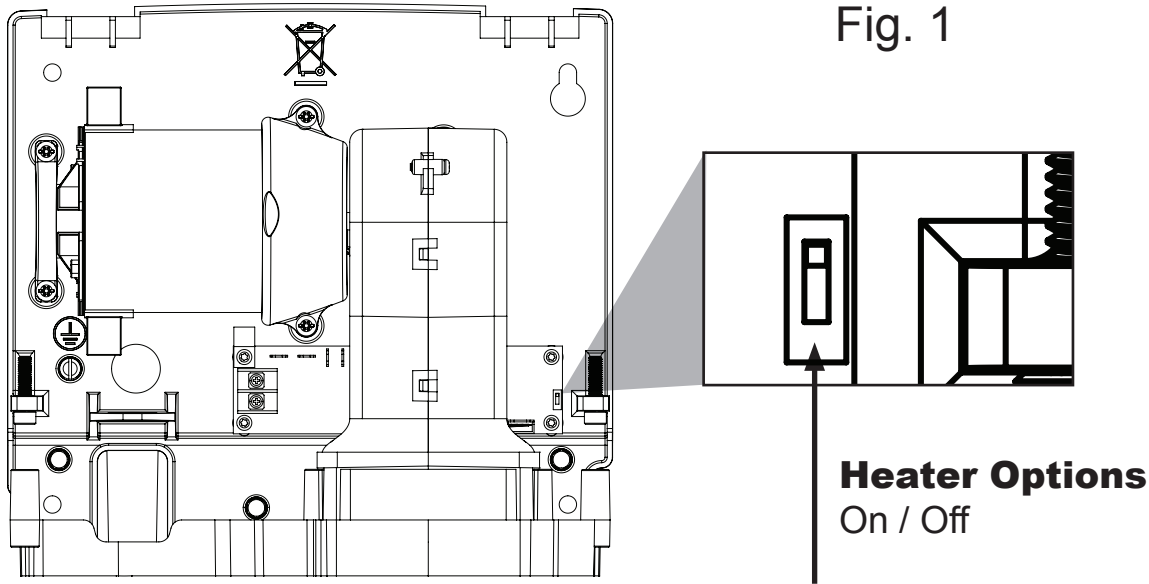
The dryer can be operated with the heating element "ON" or "OFF".

**Note: The factory setting for the heating element is "ON".**

The heating element control is located on the printed circuit board inside the dryer.

To adjust heating element controls:

1. Disconnect the power source.
2. Use the security hex key supplied to turn the cover mounting screws **clockwise** to remove the cover from the dryer.
3. Locate the heating element control switch on the printed circuit board (see Fig. 1)
4. Position the heating element control switch to "ON" or "OFF" as desired.
5. Reassemble the dryer cover using the security hex key supplied to turn the cover mounting screws **counter-clockwise** and tighten until snug. Do not over tighten.



## Maintenance and Cleaning Instructions

**IMPORTANT:** *The dryer may collect lint and debris that is naturally present in the air. Excessive build up of lint and debris can damage the motor and heating element. The dryer should be cleaned on a routine schedule to maintain the dryer in good operating condition. With light to moderate wash room traffic, cleaning once a year is recommended. If wash room traffic is high, cleaning every 6 months is recommended.*

To clean the hand dryer:

1. Disconnect the power source.
2. Use the security hex key supplied to turn the cover mounting screws clockwise to remove the cover from the dryer.
3. Use a soft-medium bristle paint brush to clean lint, dust and debris from the air intake slots, and the motor's exterior.
4. After cleaning, reassemble the dryer cover using the security hex key supplied to turn the cover mounting screws counter-clockwise and tight until snug. Do not over tighten.

## Troubleshooting Chart

Dryer fails to start.	Sensor obstruction.	Check sensor lens for foreign material.
	No power to the unit.	Look directly at sensor lens for LED light. If LED light is "OFF", check incoming power supply is "ON". Check electrical connections.
	Faulty Circuit Board (PCB)	If LED light is "ON". Place hands under sensor. Listen for PCB relay "Click.". If no "Click" is heard, replace the PCB.
	Motor brushes or motor needs replacement.	If incoming power supply is confirmed "ON" and LED light is not visible, replace the PCB.
Dryer will not shut off.	Loose electrical connections	Check incoming power supply connections are secure.
		Replace circuit board (PCB)
	Faulty circuit board (PCB)	Replace dryer controls.

After power to dryer is switched "ON", dryer runs for approximately 30 seconds, then will not restart.	Sensor obstruction or sensor lens scratched or damaged.	Check sensor lens for foreign material or dirt. Clean lens with soft damp cloth and mild cleaning agent. If sensor lens is damaged or scratched, replace sensor.
Dryer "Ghosts" (starts with no hands present.)	Mounted too close to counter or object.	Relocate the object or dryer according to installation instructions to a minimum 18" above any reflective surface and at least 24" from an adjacent hand dryer.
	Electrical noise from incoming power supply or nearby infrared actuated device.	Confirm dryer base is securely grounded.
		Confirm dryer is on a dedicated circuit.
		Check if any nearby infrared actuated device is triggering dryer.
Dryer air too cold.	Faulty circuit board (PCB)	Replace circuit board (PCB)
	Heater control switch is in the "OFF" position.	Re-position heater control switch to "ON".
	Faulty circuit board (PCB)	Place hands under sensor. Listen for PCB relay "Click.". If no "Click" is heard, replace the PCB.
Dryer air too hot.	Faulty heating element	If PCB Relay "Click" is heard and dryer continues to blow cold air, replace heating element.
	Excessive lint / debris build up	See Maintenance and Cleaning Instructions (pg 5)
Dryer air output is too slow.	Excessive lint / debris build up	See Maintenance and Cleaning Instructions (pg 5)
Excessive Noise or Vibration	Loose mounting screws.	Confirm dryer is securely mounted to wall and motor mounts to dryer base are tight and secure.
	Foreign material in fan housing or dryer outlet.	Check and remove any foreign material in fan housing or dryer outlet air slot.

## Limited Warranty

**World LIMITED TEN – YEAR WARRANTY.** World Warm Air Hand Dryer, Model covered in this manual, is warranted by World Dryer Corporation to the original user against defects in workmanship or materials under normal use for 10 years after date of purchase for all components except motor brushes (3 years), motor (5 years) and sensor (5 years). Any part which is determined to be defective in material or workmanship and returned to an authorized service location, as World designates, shipping costs prepaid, will be, as the exclusive remedy, repaired or replaced at World's option. For limited warranty claim procedures, see PROMPT DISPOSITION below. This limited warranty gives purchasers specific rights from jurisdiction to jurisdiction.

**LIMITATION OF LIABILITY.** To the extent allowable under applicable law, World's liability for consequential and incidental damages is expressly disclaimed. World's liability in all events is limited to and shall not exceed the purchase price paid.

**WARRANTY DISCLAIMER.** World has made a diligent effort to provide product information and illustrate the products in this literature accurately; however, such information and illustrations are for the sole purpose of identification, and do not express or imply a warranty that the products are MERCHANTABLE, or FIT FOR A PARTICULAR PURPOSE, or that the products will necessarily conform to the illustrations or descriptions. Except as provided below, no warranty or affirmation on fact, expressed or implied, other than as stated in the "LIMITED WARRANTY" above is made or authorized by World.

**PRODUCT SUITABILITY.** Many jurisdictions have codes and regulations governing sales, construction, installation, and/or use of products for certain purposes, which may vary from those in neighboring areas. While World attempts to assure that the products comply with such codes, it cannot guarantee compliance, and cannot be responsible for how the product is installed or used. Before purchase and use of a product, review the product application, and all applicable national and local codes and regulations, and be sure that the product, installation, and use will comply with them.

Certain aspects of disclaimers are not applicable to consumer products; e.g., (a) some jurisdictions do not allow the exclusion or limitation of incidental or consequential damages, so the above limitation or exclusion may not apply to you; (b) also, some jurisdictions do not allow a limitation on how long an implied warranty lasts, consequentially the above limitation may not apply to you; and (c) by law, during the period of this Limited Warranty, and implied warranties of implied merchantability or fitness for particular purpose applicable to consumer products purchased by consumers, may not be excluded or otherwise disclaimed.

Manufactured by World Dryer Corporation, Berkeley, Illinois 60163 U.S.A.

**PROMPT DISPOSITION.** World will make a good faith effort for prompt correction or other adjustment with respect to any product which proves to be defective within limited warranty. For any product believed to be defective within limited warranty, first write or call dealer from whom the product was purchased. Dealer will give additional directions. If unable to resolve satisfactorily, write to World at address below, giving dealer's name, address, date, and number of dealer's invoice, and describing the nature of defect. Title and risk of loss pass to buyer on delivery to common carrier. If product was damaged in transit to you, file claim with carrier.




5700 McDermott Drive  
Berkeley, IL 60163 U.S.A.  
800-323-0701  
www.worlddryer.com

## Descripción

El secamanos de aire caliente de World es un secamanos de montaje en superficie compatible con ADA (Acta de Americanos con Discapacidades), impulsado por un motor de cepillo universal, que suministra hasta 1000 vatios de potencia de secado. El secador incorpora un elemento calentador con opciones para su manejo con o sin aire caliente. Un sensor infrarrojo activa el secador de forma automática. Estos modelos están pensados para su uso en ambientes de oficina, industriales, comercios y servicios públicos.

## Especificaciones del sistema eléctrico

Tabla 1

Modelos	Tipo	Clasificaciones eléctricas	Certificados
L-XXX	Automático	115 / 230 VAC 950W 60Hz 208 VAC 775W 60Hz	

## Información general de seguridad



### PELIGRO

No desconectar la fuente de alimentación eléctrica antes de realizar la instalación o el mantenimiento puede resultar en lesiones graves o la muerte debido a una descarga eléctrica.

- Siempre desconecte la fuente de alimentación eléctrica antes de instalar el secamanos o realizar las tareas de mantenimiento.



### PELIGRO

No conectar correctamente a tierra esta unidad puede resultar en una descarga eléctrica grave o la muerte.

- Se ha de instalar correctamente la toma a tierra del secamanos para un manejo seguro. En la base mural del secamanos se identifica un punto de conexión a tierra.
- Recomendamos utilizar un protector GFCI (interruptor de circuito de fallo a tierra) en emplazamientos mojados o húmedos, o donde lo exija el código local.



### ADVERTENCIA

Riesgo de incendio, lesiones personales o daños a la propiedad son posibles si no se cumple con los códigos locales o las recomendaciones de seguridad.

- La instalación y el mantenimiento únicamente deben realizarse por técnicos eléctricos capacitados.
- Utilice solamente la energía eléctrica (voltaje y frecuencia) especificada para el modelo de secamanos que esté instalando. Consulte la tabla 1: Especificaciones del sistema eléctrico.
- Conecte el secamanos en el panel de distribución adecuado más cercano. El cableado fijo debe incluir un interruptor de desconexión que cumpla con los códigos de cableado locales.
- Para limitar las caídas de tensión y garantizar un funcionamiento eficiente, utilice un cable AWG (Calibre de Alambre Estadounidense) n.º 12 o mayor, según lo exijan las normas locales sobre electricidad.
- Realice siempre la conexión a un ramal que tenga instalado un disyuntor o un fusible protector, cuya capacidad eléctrica supere la intensidad nominal del modelo del secamanos, como se indica en la Tabla 1: Especificaciones del sistema eléctrico, de acuerdo con el NEC (Código Eléctrico Nacional) o el CEC (Código Eléctrico Canadiense).
- Para evitar cualquier peligro debido a un restablecimiento inadvertido del interruptor térmico, el secamanos no se debe administrar mediante un dispositivo de conmutación externo, como un contador, o conectado a un circuito que el aparato encienda y apague con regularidad.
- Todo secamanos de modelo automático debe tener un circuito dedicado.
- Separe todo el tendido de cables de las piezas móviles del interior del secamanos.
- El NEC (Código Eléctrico Nacional) o el CEC (Código Eléctrico Canadiense) exigen unos accesorios de instalación con superficies lisas y redondeadas, para proteger los cables de alimentación.



### PRECAUCIÓN

El montaje incorrecto puede ocasionar lesiones personales o daños materiales.

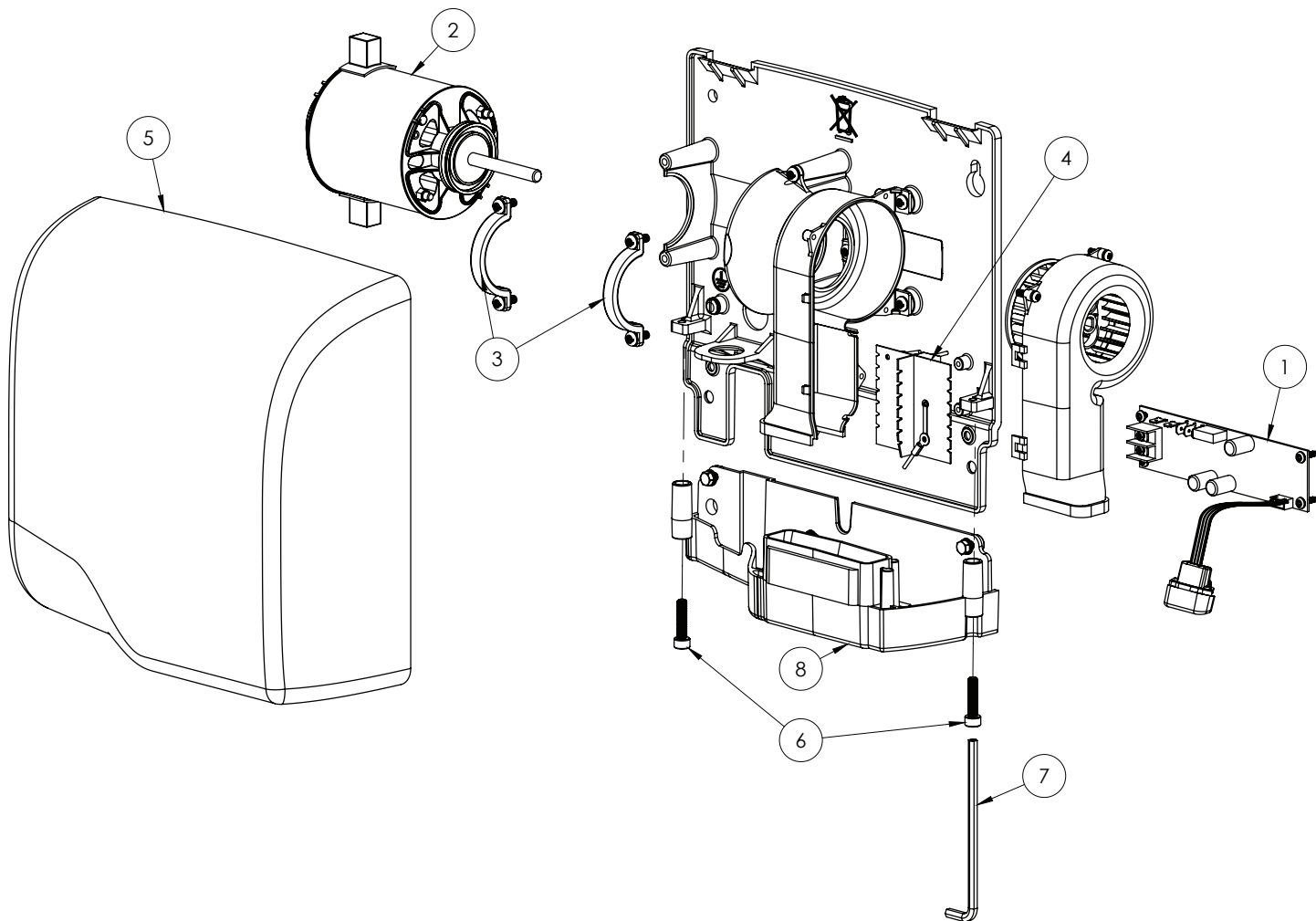
- Observe las alturas de montaje recomendadas en la Tabla 2.
- Para el montaje en una pared de entramado, un lado del secamanos debería montarse en un montante existente.

## Desembalaje

1. Retire todo el material de embalaje. Se recomienda reciclar.
2. Saque con cuidado el secamanos del cartón de embalaje, con precaución para que no se le caiga.
3. Realice una cuidadosa inspección, en busca de cualquier daño que pudiera haber sufrido durante su transporte. Compruebe si hay piezas sueltas, extraviadas o que hayan sufrido daños. Si se ha producido algún daño en el secamanos, informe sin demora a su proveedor.

# Lista de partes

## Lista de partes de repuesto para el secamanos SLIMdri™



**Todos los kits incluyen los cierres necesarios para la instalación. El número de pieza del conjunto de cubierta (número de referencia 5) es distinto al número de modelo del secamanos.**

Para información sobre repuestos, visite [www.WorldDryer.com](http://www.WorldDryer.com)

Por favor proporcione la siguiente información:

- Número de modelo
- Número de serie
- Descripción de la pieza y número indicado en la lista de partes

#	Descripción	Número de parte
1	Kit, controles del secador	16-10090K
2	Kit, motor	32-120K
3	Kit, abrazaderas del motor	33-10082K
4	Kit, elemento calentador	21-10091K
5	Conjunto de cubierta - Alum. - Blanco	20-L974
	Conjunto de cubierta - Alum. - Cromo pulido	20-L970
	Conjunto de cubierta - Alum. - Cromo bruñido	20-L971
	Conjunto de cubierta - Hierro fundido - Esmalte de porcelana	20-L976
6	Kit, tornillos de seguridad	46-04022K
7	Llave, seguridad	56-10092
8	Kit, bandeja/plancha inferior (Modelos L-976)	28-10078K
	Kit, bandeja/plancha inferior - (Modelos L-970, L-971 y L-974)	28-10088K



# Instalación

1. Desconecte la fuente de alimentación eléctrica.
2. Utilizando la tabla 2 para determinar la altura recomendada de montaje, seleccione un espacio donde montar el secamanos donde no haya superficies u objetos reflectantes (como un lavamanos) directamente bajo el ojo del sensor infrarrojo. El ojo del sensor infrarrojo se puede ver en la parte inferior del secador. La distancia mínima de montaje que puede haber entre la parte inferior del secador y una superficie reflectante es de 18 pulgadas (46 cm). Cuando hay dos o más secadores instalados deberían colocarse a una distancia de 24 pulgadas (61 cm) mínimo entre sí.
3. Utilice la llave Allen de seguridad proporcionada para girar los tornillos de montaje de la cubierta **en el sentido de las agujas del reloj**, para retirar la cubierta del secador.
4. Utilizando la plantilla de montaje proporcionada, marque los puntos de localización para los 4 agujeros de los pernos de montaje en la pared.
5. Sujete la base a la pared, utilizando el tipo de pernos recomendados en la tabla 3
6. Cada secador debe tener su propio circuito dedicado.
7. Conecte el secador al panel de distribución apropiado más cercano.
8. Cambie la cubierta, gire los tornillos **en el sentido contrario al de las agujas del reloj** teniendo cuidado de no apretarlos de más.

**IMPORTANTE:** Consulte los reglamentos locales y generales antes de realizar la instalación del secador. Verifique que la red eléctrica no esté sobrecargada. Realice siempre la conexión a un ramal que tenga instalado un disyuntor o un fusible protector, cuya capacidad eléctrica supere la intensidad nominal del modelo del secamanos, como se indica en la Tabla 1: Especificaciones del circuito eléctrico de acuerdo con la NEC (Código Eléctrico Nacional) o la CEC (Código Eléctrico Canadiense).

**Tabla 2**

Alturas de montaje recomendadas desde el suelo hasta la parte inferior del secamanos	pulg. (cm)
Lavabos de hombres	46 (117)
Lavabos de mujeres	44 (112)
Lavabos de niños, para edades entre 4-7	32 (81)
Lavabos de niños, para edades entre 7-10	36 (91)
Lavabos de niños, para edades entre 10-13	40 (102)
Lavabos de niños, para edades entre 13-17	44 (112)
Altura de montaje para discapacitados	37 (94)

**Tabla 3**

Tipo de pared	Tipo de perno	Longitud mínima del perno
Baldosa hueca, maya, pared de yeso o metal	Tipo de tornillos 1/4" (M6) o pernos acodillados con aletas	Dependiendo del grosor de muro
Cemento, ladrillo, o cemento o ladrillo cubierto con baldosas	Pernos de expansión de tipo espárrago de 1/4" (M6)	3" (76mm)
Muro de entramado con respaldo de madera	Tornillos para madera n.º 16 (M8)	23/4" (70 mm)

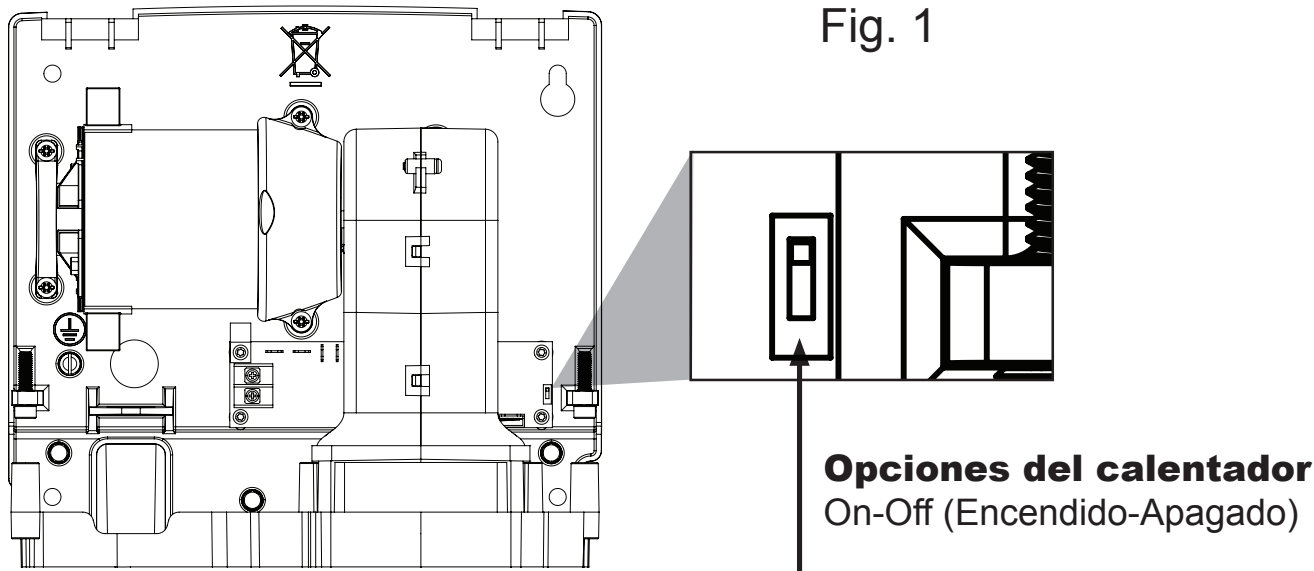
## Ajuste de los controles del elemento calentador

El secador se puede manejar con el elemento calentador en "ON" (encendido) o en "OFF" (apagado).  
**Nota: el elemento calentador viene de fábrica ajustado en "ON" (encendido).**

El control del elemento calentador se localiza en el panel del circuito impreso dentro del secador.

Para ajustar los controles del elemento calentador:

1. Desconecte la fuente de alimentación eléctrica.
2. Utilice la llave Allen de seguridad proporcionada para girar los tornillos de montaje de la cubierta **en el sentido de las agujas del reloj**, para extraer la cubierta del secador.
3. Localice el interruptor de control del elemento calentador en el panel del circuito impreso (consulte Fig. 1)
4. Ponga el interruptor de control del elemento calentador en la posición "ON" (encendido) u "OFF" (apagado).
5. Vuelva a poner la cubierta del secador, utilizando la llave Allen de seguridad proporcionada para girar los tornillos de montaje **en el sentido contrario al de las agujas del reloj**, y apriételos hasta ceñirlos. No los apriete de más.



## Instrucciones de mantenimiento y limpieza

**IMPORTANTE:** *El secador puede acumular pelusas y detritos, presentes en el aire de manera natural. Una acumulación excesiva de pelusas y detritos puede producir daños en el motor y en el elemento calentador. Se ha de limpiar el secador, siguiendo un programa de rutina para mantenerlo en buenas condiciones de funcionamiento. Si el tráfico de personas es entre ligero y moderado, se recomienda realizar esta limpieza una vez al año. Si el tráfico de personas es pesado, se recomienda esta limpieza cada 6 meses.*

Para limpiar el secamanos:

1. Desconecte la fuente de alimentación.
2. Utilice la llave Allen de seguridad proporcionada, para girar en el sentido de las agujas del reloj los tornillos de montaje del cobertor, separándolo del secador.
3. Utilice una brocha para pintar de cerdas medio-suave para limpiar las pelusas, el polvo y los detritos de las ranuras de la entrada de aire y del exterior del motor.
4. Después de la limpieza, vuelva a montar la cubierta del secador, utilizando la llave Allen de seguridad para girar los tornillos de montaje de la cubierta en el sentido contrario al de las agujas del reloj y apriételos hasta ceñirlos. No los apriete de más.

## Cuadro de resolución de problemas

El secador no arranca.	Obstrucción en el sensor	Compruebe la lente del sensor por si hubiera presencia de materiales extraños.
	No llega corriente a la unidad.	Mire directamente en la lente del sensor para comprobar la luz del LED. Si la luz del LED está en "OFF", compruebe que la corriente de alimentación de entrada está en "ON". Compruebe las conexiones eléctricas.
	Fallo en el circuito impreso (PCB)	Si la luz del LED está en "ON", coloque las manos bajo el sensor, y preste atención al "clic" que sonará cuando se libere el PCB. Si no lo escucha, sustituya el PCB.
	Necesita cambiar el motor de cepillo o el motor.	Si la corriente de alimentación de entrada se confirma con el "ON" y la luz del LED no es visible, sustituya el PCB.
El secador no se apaga.	Afloje las conexiones eléctricas	Compruebe que las conexiones de la corriente de alimentación de entrada son seguras.
		Cambie el circuito impreso (PCB)
	Fallo en el circuito impreso (PCB)	Cambie los controles del calefactor.

Después de poner la alimentación del secador en "ON", este funciona durante unos 30 segundos y después no se pone en marcha de nuevo.	Obstrucción en el sensor o lente del sensor con arañazos o daños.	Compruebe la lente del sensor en busca de materiales extraños o suciedad. Limpie la lente con un trapo suave y húmedo y un agente de limpieza suave. Si la lente del sensor está dañada o arañada, cambie el sensor.
Secador fantasma (arranca sin que nadie ponga las manos).	Se ha montado demasiado cerca del contador o de un objeto.	Cambie de sitio el objeto o el secador de acuerdo a las instrucciones de instalación, a un mínimo de 18" (46 cm) de distancia de cualquier superficie reflectante y al menos 24" (61 cm) de un secador adyacente.
	Ruido de la electricidad de la corriente de alimentación de entrada o de un dispositivo circundante accionado por infrarrojos.	Confirme que la toma a tierra de la base del secador es segura. Confirme que el secador está conectado a un circuito dedicado. Compruebe que cualquier dispositivo circundante accionado por infrarrojos no está activando el secador.
	Fallo en el circuito impreso (PCB)	Cambie el circuito impreso (PCB)
Aire de secado demasiado frío.	El interruptor de control del elemento calentador está en posición "OFF".	Ponga el interruptor del elemento calentador en "ON".
	Fallo en el circuito impreso (PCB)	Coloque las manos debajo del sensor, preste atención al "clic" que sonará cuando se libere el PCB. Si no lo escucha, sustituya el PCB.
	Fallo en el elemento calentador	Si escucha el "clic" del PCB y el secador continúa expulsando aire frío, cambie el elemento calentador.
Aire de secado demasiado caliente.	Una acumulación excesiva de pelusas/detritos	Consulte las instrucciones de limpieza y mantenimiento (pág. 5)
La salida de aire del secador tiene poca fuerza.	Una acumulación excesiva de pelusas/detritos	Consulte las instrucciones de limpieza y mantenimiento (pág. 5)
Ruido o vibraciones excesivos	Afije los tornillos de montaje	Confirme que el secador está montado de forma segura a la pared y los accesorios de fijación del motor a la base del secador están apretados y seguros.
	Materiales extraños en la carcasa del ventilador o en la salida del secador.	Compruebe y retire cualquier material extraño en la carcasa del ventilador o en la ranura de la salida de aire del secador.

## Garantía limitada

**GARANTÍA LIMITADA DE DIEZ AÑOS DE World.** World Dryer Corporation le garantiza al usuario original que el modelo del secamanos de aire caliente World Dryer tratado en este manual estará libre de defectos de fabricación y materiales si se somete a un uso normal por diez años a partir de la fecha de compra, para todos los componentes, con excepción del motor de cepillo (3 años), el motor (5 años) y el sensor (5 años). Cualquier pieza que se halle defectuosa, ya sea por materiales o construcción, y se devuelva a un centro de reparación autorizado, según lo indique World Dryer, con los costos de envío pagados por adelantado, se reparará o reemplazará, como remedio exclusivo, a la discreción de World Dryer. Para información relacionada con los procedimientos de reclamación provistos por la garantía limitada, consulte más adelante la sección ATENCIÓN OPORTUNA. Esta garantía limitada confiere al comprador derechos específicos que varían de una jurisdicción a otra.

**LÍMITES DE RESPONSABILIDAD.** En la medida en que las leyes aplicables lo permitan, se excluye expresamente la responsabilidad de World Dryer por daños indirectos o menores. La responsabilidad de World se limita al precio de compra pagado, al cual no sobrepasará.

**EXCLUSIÓN DE RESPONSABILIDAD DE LA GARANTÍA.** World Dryer se ha esforzado diligentemente en proporcionar a través de este manual información e ilustraciones concernientes al producto; sin embargo, esta información y estas ilustraciones tienen como único fin la identificación del producto, y no expresan ni implican garantía de que los productos sean VENDIBLES o ADECUADOS A UN PROPÓSITO EN PARTICULAR, ni que se ajusten necesariamente a las ilustraciones o descripciones. Con excepción de lo que se establece a continuación, World Dryer no hace ni autoriza ninguna garantía o afirmación de hecho, expresa o implícita, que no se estipule en la "GARANTÍA LIMITADA" anterior.

**ADECUACIÓN DEL PRODUCTO.** Muchas jurisdicciones tienen códigos o regulaciones sobre la venta, el diseño, la instalación y/o el uso de productos para ciertas aplicaciones; dichas leyes pueden variar de un área a otra. Si bien World Dryer trata de que los productos cumplan con estos códigos, no puede garantizar su cumplimiento ni puede hacerse responsable de la forma en que se instale o utilice el producto. Antes de comprar y utilizar el producto, revise su aplicación y todos los códigos y reglamentos nacionales y locales aplicables, y asegúrese de que el producto, la instalación y el uso los cumplan.

Ciertos aspectos de las limitaciones de responsabilidad no se aplican a los productos de consumo; es decir (a) algunas jurisdicciones no permiten la exclusión o limitación de daños menores o indirectos, por lo cual la limitación o exclusión anterior quizás no se aplique en su caso; (b) asimismo, algunas jurisdicciones no permiten limitar el plazo de las garantías implícitas, por lo cual la limitación anterior quizás no se aplique en su caso; y (c) por ley, mientras estén vigentes, no pueden excluirse ni de ninguna otra manera denegarse la Garantía Limitada y las garantías implícitas de comerciabilidad o idoneidad para un propósito en particular que corresponden a los productos de consumo adquiridos por los consumidores.

Fabricado por World Dryer Corporation, Berkeley, Illinois 60163 U.S.A.

**ATENCIÓN OPORTUNA.** World Dryer hará un esfuerzo de buena fe para corregir oportunamente o hacer otros ajustes relacionados con cualquier producto que resulte defectuoso dentro de los términos de esta garantía limitada. En el caso de que encuentre un producto defectuoso y que esté cubierto dentro de los límites de esta garantía haga el favor de escribir primero, o llame, al distribuidor a quien le compró el producto. El distribuidor le dará instrucciones adicionales. Si no logra resolver el problema de forma satisfactoria, escriba a World Dryer, y proporcione el nombre y la dirección del distribuidor, así como la fecha y el número de su factura, y describa la naturaleza del defecto. La propiedad del artículo y el riesgo de pérdida pasan al comprador en el momento de la entrega del artículo a la compañía de transporte. Si el producto se daña durante el transporte, debe presentar su reclamo a la compañía transportista.




5700 McDermott Drive  
Berkeley, IL 60163 U.S.A.  
800-323-0701  
www.worlddryer.com

## Description


Le sèche-mains à air chaud World Dryer est un sèche-mains monté en surface conforme aux exigences de l'ADA (American Disabilities Act) qui est alimenté par un moteur à balais universel et donne 1 000 W de puissance de séchage. L'appareil a un élément chauffant intégré avec option de fonctionnement avec ou sans air chauffé. Un capteur infrarouge permet d'activer automatiquement le sèche-mains. Ces modèles sont destinés à une utilisation dans des environnements commerciaux, industriels, publics et dans les bureaux.

## Caractéristiques électriques


Tableau 1

Modèles	Type	Caractéristiques électriques	Certifications
L-XXX	Automatique	115 / 230 VAC 950W 60Hz 208 VAC 775W 60Hz	


## Consignes générales de sécurité

 **DANGER** Débrancher l'alimentation avant de procéder à l'installation, à la réparation ou à l'entretien sous peine de blessures graves ou mortelles résultant d'une électrocution.

- Toujours débrancher l'alimentation avant de réparer, d'entretenir ou d'installer le sèche-mains.

 **DANGER** Veiller à mettre cet appareil à la terre correctement afin d'éviter tout risque d'électrocution grave, voire mortel.

- Pour fonctionner en toute sécurité, ce sèche-mains doit être correctement mis à la terre. Un point de mise à la terre figure sur le socle mural du sèche-mains.
- Nous recommandons une protection par disjoncteur de fuite à la terre (GFCI) dans les endroits mouillés ou humides, ou si les normes locales l'exigent.

 **AVERTISSEMENT** Risque d'incendie, de blessures ou de dégâts si les codes locaux ou les consignes de sécurité ne sont pas suivis.

- L'installation et la maintenance doivent être confiées à un électricien qualifié.
- Utiliser uniquement l'alimentation électrique (tension et fréquence) spécifiée pour le modèle de sèche-mains installé. Voir Tableau 1 - Caractéristiques électriques.
- Brancher le sèche-mains sur le tableau de distribution adapté le plus proche. Le câblage fixe doit inclure un interrupteur de déconnexion conforme aux codes de câblage locaux.
- Pour limiter les chutes de tension et garantir un fonctionnement efficace, utiliser du fil de calibre 12 AWG (4 mm<sup>2</sup>) ou de calibre supérieur conformément aux normes électriques locales en vigueur.
- Toujours raccorder l'appareil à un circuit de dérivation protégé par un disjoncteur ou un fusible aux caractéristiques nominales supérieures à l'intensité nominale du modèle de sèche-mains figurant au tableau 1 – Caractéristiques électriques, conformément au NEC (National Electrical Code) et/ou au Code Canadien de l'électricité (CCE).
- Pour éviter les risques liés à une désactivation accidentelle du sectionneur thermique, cet appareil ne doit pas être alimenté par un dispositif de marche/arrêt externe (minuterie, par ex.) ni branché sur un circuit régulièrement allumé et éteint par le fournisseur d'énergie.
- Chaque sèche-mains automatique doit avoir un circuit électrique qui lui est dédié.
- Acheminer tous les câbles électriques à l'écart des pièces en mouvement dans le sèche-mains.
- Le NEC (National Electrical Code) et/ou le CEC (Code électrique canadien) exigent des raccords d'installation aux surfaces lisses et arrondies pour protéger les câbles d'alimentation.

 **ATTENTION** Un montage incorrect peut provoquer des accidents corporels et des dommages matériels.

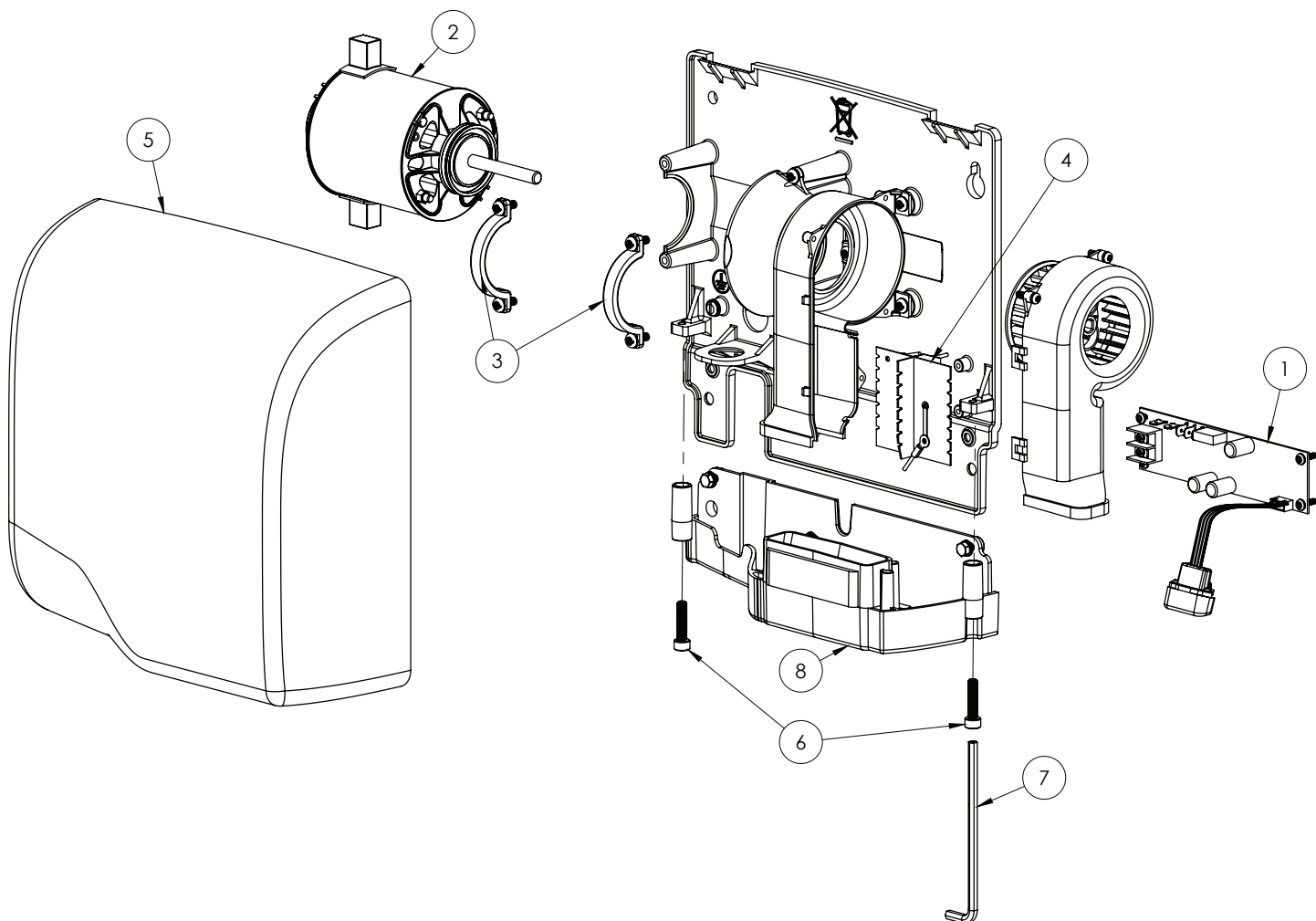
- Suivre les recommandations concernant la hauteur de pose (Tableau 2).
- Sur un mur à poteaux, un côté du sèche-mains doit être monté sur un poteau existant.

## Déballage

1. Enlever tout le matériel d'emballage. Recyclage recommandé.
2. Sortir le sèche-mains du carton avec précaution, en veillant à ne pas le faire tomber.
3. Inspecter minutieusement l'appareil pour s'assurer qu'il n'a pas été endommagé en cours de transport. S'assurer qu'aucune pièce n'est desserrée, manquante ou endommagée. Si le sèche-mains est abîmé, prévenir au plus vite le vendeur.

# Liste des pièces

## Liste des pièces détachées pour le sèche-mains SLIMdri™



**Tous les kits incluent les pièces de fixation nécessaires à l'installation. Le numéro de pièce du capot (n° réf. 5) varie en fonction du numéro de modèle du sèche-mains.**

Pour des pièces détachées, allez sur le site [www.WorldDryer.com](http://www.WorldDryer.com)

Fournir les renseignements suivants :

- Numéro de modèle
- Numéro de série
- Description et numéro de la pièce figurant sur la liste des pièces

Légende	Description	Numéro de référence
1	Kit, commandes du sèche-mains	16-10090K
2	Kit, moteur	32-120K
3	Kit, étriers du moteur	33-10082K
4	Kit, élément chauffant	21-10091K
5	Capot – aluminium – blanc	20-L974
	Capot – aluminium – chrome poli	20-L970
	Capot – aluminium – chrome brossé	20-L971
	Capot – fonte – porcelaine émaillée	20-L976
6	Kit, vis de sécurité	46-04022K
7	Clé à six pans, sécurité	56-10092
8	Kit, plateau inférieur / grille - (modèles L-976)	28-10078K
	Kit, plateau inférieur / grille - (modèles L-970, L-971 et L-974)	28-10088K

# Installation

1. Couper l'alimentation électrique.
2. En se référant au tableau 2 pour déterminer la hauteur de pose recommandée, sélectionner un emplacement d'installation pour le sèche-mains en veillant à ce qu'aucune surface ni aucun objet réfléchissant (comme un lavabo) ne se trouve directement sous le capteur infrarouge. Le capteur infrarouge est visible pardessous le sèche-mains. La distance minimale de pose entre la surface inférieure du sèche-mains et toute surface réfléchissante est de 18 po (46 cm). Pour l'installation de plusieurs sèche-mains, les espacer d'au moins 24 po (61 cm).
3. Utiliser la clé à six pans fournie pour tourner les vis de fixation du capot **dans le sens des aiguilles d'une montre** afin de retirer le capot du sèche-mains.
4. À l'aide du pochoir d'installation fourni, marquer les repères des quatre trous de fixation sur le mur.
5. Fixer le socle au mur au moyen de boulons du type recommandé au tableau 3.
6. Chaque sèche-mains doit avoir son propre circuit dédié.
7. Brancher le sèche-mains sur le tableau de distribution adapté le plus proche.
8. Remettre le capot en place, tourner les vis **dans le sens contraire des aiguilles d'une montre** en veillant à ne pas trop serrer.

**IMPORTANT :** Consulter les réglementations locales et générales avant de procéder à l'installation du sèche-mains. S'assurer que le réseau électrique n'est pas surchargé. Toujours brancher l'appareil sur un circuit de dérivation dédié muni d'un coupe-circuit ou d'un fusible et d'une intensité nominale supérieure à l'intensité nominale du sèche-mains (Tableau 1 - Caractéristiques électriques), conformément au NEC (National Electric Code) et/ou au CEC (Code électrique canadien).

**Tableau 2**

Distances recommandées entre le sol et le bord inférieur du sèche-mains	po (cm)
Toilettes pour hommes	46 (117)
Toilettes pour femmes	44 (112)
Toilettes pour enfants de 4 à 7 ans	32 (81)
Toilettes pour enfants de 7 à 10 ans	36 (91)
Toilettes pour enfants de 10 à 13 ans	40 (102)
Toilettes pour enfants de 13 à 17 ans	44 (112)
Hauteur de montage pour personnes handicapées	37 (94)

**Tableau 3**

Type de mur	Type de boulon	Longueur minimum des boulons
Parpaings creux, lattes, panneaux de revêtement ou métal	Boulons type vis de 6 mm (M6) ou à ailettes	Dépend de l'épaisseur du mur
Ciment ou brique, carrelé(e) ou non	Boulons extensibles du type à goujon de 6 mm (M6)	3 po (76 mm)
Mur à poteaux avec fond de cloutage en bois	Vis à bois (M8) n° 16	23/4 po (70 mm)

# Réglage de la commande de l'élément chauffant

Le sèche-mains peut fonctionner avec l'élément chauffant sur « ON » (Marche) ou sur « OFF » (Arrêt).

**Remarque :** À la sortie d'usine de l'appareil, l'élément chauffant est réglé sur ON (Marche).

La commande de l'élément chauffant se trouve sur la carte de circuits imprimés, dans le sèche-mains.

Pour ajuster la commande de l'élément chauffant :

1. Couper l'alimentation électrique.
2. Utiliser la clé à six pans de sécurité fournie pour tourner les vis de fixation du capot **dans le sens des aiguilles d'une montre** afin de retirer le capot du sèche-mains.
3. Situer l'interrupteur de commande de l'élément chauffant sur la carte de circuits imprimés (Fig. 1).
4. Placer l'interrupteur de commande de l'élément chauffant sur ON (marche) ou sur OFF (arrêt), selon les besoins.
5. Remettre le capot de l'appareil en place en utilisant la clé à six pans de sécurité fournie pour tourner les vis de fixation du capot **dans le sens contraire des aiguilles d'une montre** et bien les serrer sans exagérer.

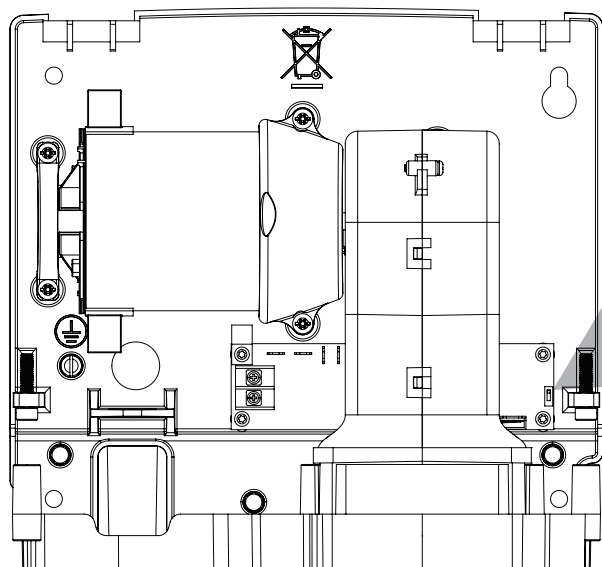
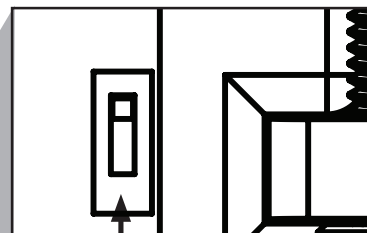


Fig. 1



**Options de l'élément chauffant**  
On/Off (marche/arrêt)

## Instructions d'entretien et de nettoyage

**IMPORTANT : Le sèche-mains peut collecter les peluches et les particules qui sont naturellement présentes dans l'atmosphère. L'accumulation excessive de peluches et de particules risque d'endommager le moteur et l'élément chauffant. Le sèche-mains doit être régulièrement nettoyé pour être maintenu en bon état de fonctionnement. Dans les toilettes légèrement à modérément fréquentées, un nettoyage annuel est recommandé. Dans les toilettes très fréquentées, un nettoyage doit avoir lieu tous les 6 mois.**

Pour nettoyer le sèche-mains :

1. Couper l'alimentation électrique.
2. Utiliser la clé à six pans de sécurité fournie pour tourner les vis de fixation du capot dans le sens des aiguilles d'une montre afin de retirer le capot du sèche-mains.
3. Utiliser un pinceau à soies molles à moyennes pour nettoyer les peluches, la poussière et les particules des fentes d'admission d'air et de l'extérieur du moteur.
4. Après le nettoyage, remettre le capot de l'appareil en place en utilisant la clé à six pans fournie pour tourner les vis de fixation du capot dans le sens inverse des aiguilles d'une montre et bien les serrer sans exagérer.

## Tableau de dépannage

Le sèche-mains ne démarre pas.	Obstruction du capteur.	S'assurer que le capteur est propre.
	L'appareil n'est pas alimenté.	Regarder droit dans l'axe de la LED du capteur. Si la LED est éteinte, s'assurer que l'interrupteur de l'appareil est en position Marche (ON). Vérifier les branchements électriques.
	Carte de circuits imprimés défectueuse	Si la LED est allumée, placer les mains sous le capteur. Tendre l'oreille pour vérifier le cliquetis du relais de la carte. En l'absence de cliquetis, remplacer la carte de circuits imprimés.
	Les balais du moteur ou le moteur doivent être remplacés.	Si l'alimentation de l'appareil est confirmée et que la LED n'est pas allumée, remplacer la carte de circuits imprimés.
Le sèche-mains ne s'arrête pas.	Connecteurs électriques desserrés	S'assurer que les branchements électriques sont sûrs. Remplacer la carte de circuits imprimés (PCB).
	Carte de circuits imprimés (PCB) défectueuse	Se reporter à la page 3 pour des instructions.

Après sa mise sous tension, le sèche-mains démarre et fonctionne pendant une trentaine de secondes, puis ne redémarre plus.	Obstruction du capteur ou capteur rayé ou abîmé.	S'assurer que le capteur est propre. Nettoyer le capteur avec un chiffon doux humide et un nettoyant doux. Si le capteur est abîmé ou rayé, le remplacer.
« Fantômes » déclenchant le sèche-mains (démarre en l'absence de mains)	Monté trop près du compteur ou de l'objet.	Déplacer l'objet ou le sèche-mains en suivant les instructions d'installation jusqu'à 18 po (46 cm) au-dessus de toute surface réfléchissante et au moins 24 po (61 cm) de tout sèche-mains adjacent.
	Parasites provenant de l'alimentation ou appareil à commande infrarouge situé à proximité.	Confirmer la mise à la terre du socle du sèche-mains.
		Confirmer que le sèche-mains fonctionne sur un circuit qui lui est dédié.
	Vérifier si un appareil à commande infrarouge situé à proximité ne déclenche pas le sèche-mains.	
Carte de circuits imprimés (PCB) défectueuse	Remplacer la carte de circuits imprimés (PCB).	
L'air sortant du sèche-mains est trop froid.	L'interrupteur de commande de l'élément chauffant est en position OFF.	Remettre l'interrupteur en position ON.
	Carte de circuits imprimés (PCB) défectueuse	Placer les mains sous le capteur. Tendre l'oreille pour vérifier le cliquetis du relais de la carte. En l'absence de cliquetis, remplacer la carte de circuits imprimés.
	Élément chauffant défectueux	Si le cliquetis du relais est audible et que le sèche-mains continue à souffler de l'air froid, remplacer l'élément chauffant.
Air du sèche-mains trop chaud.	Accumulation excessive de peluches / particules	Voir « Instructions d'entretien et de nettoyage » (page 5).
Le jet d'air sortant du sèche-mains manque de puissance.	Accumulation excessive de peluches / particules	Voir « Instructions d'entretien et de nettoyage » (page 5).
Bruit ou vibrations excessifs	Vis de fixation desserrées.	Confirmer la fixation sûre du sèche-mains sur le mur et du support du moteur sur le socle du sèche-mains.
	Particules étrangères dans le boîtier du ventilateur ou à la sortie du sèche-mains.	Vérifier et enlever toutes les particules étrangères du boîtier du ventilateur ou de la sortie du sèche-mains.

## Garantie limitée

**GARANTIE LIMITÉE DE DIX ANS de World Dryer.** Le modèle de sèche-mains à air chaud World Dryer traité dans ce manuel est garanti par la World Dryer Corporation l'utilisateur initial contre tout défaut de fabrication ou de matériel dans des conditions normales d'utilisation pendant 10 ans après la date d'achat pour tous les composants, à l'exception des balais du moteur (3 ans), du moteur (5 ans) et du capteur (5 ans). Toute pièce présentant, selon World Dryer, des défauts de fabrication ou de matériau et retournée, port payé, à un centre de service autorisé, sera réparée ou remplacée au choix de World Dryer, à titre de recours exclusif. Voir les procédures de réclamations sous garantie sous la rubrique « PROMPT RÉGLEMENT », ci-après. La présente garantie donne aux acheteurs des droits spécifiques, qui varient selon les juridictions.

**LIMITES DE RESPONSABILITÉ.** Dans la mesure permise au titre de la loi applicable, World Dryer décline expressément toute responsabilité pour tout dommage accessoire et indirect. La responsabilité de World Dryer est dans tous les cas limitée et ne saurait dépasser le prix d'achat.

**CLAUSE DE NON-GARANTIE.** World Dryer a consenti des efforts raisonnables pour fournir des informations sur les produits et illustrer précisément les produits dans cette documentation ; toutefois, ces informations et ces illustrations sont réservées à une identification et n'expriment ou n'impliquent pas de garantie de QUALITÉ COMMERCIALE des produits ni leur ADAPTATION À UN BUT PARTICULIER, ni que les produits seront nécessairement conformes aux illustrations ou aux descriptions. Sauf indication contraire ci-dessous, aucune garantie ou affirmation sur un fait, expresse ou tacite, autre que la GARANTIE LIMITÉE ci-dessus n'est faite ou autorisée par World Dryer.

**ADÉQUATION DU PRODUIT.** Dans de nombreuses juridictions, les normes et les réglementations qui régissent les ventes, la construction, l'installation et/ou l'utilisation de produits pour certains usages peuvent être différentes de celles de régions avoisinantes. Bien que World Dryer se soit efforcée de rendre ses produits conformes à ces normes, la société ne peut en garantir la conformité et ne saurait être responsable de la manière dont les produits sont installés ou utilisés. Avant d'acheter et d'utiliser un produit, il est conseillé d'étudier son application ainsi que les normes et réglementations nationales et locales, et de s'assurer de la conformité à ces normes de ces produits, de leur installation et de leur utilisation.

Certains aspects des clauses de non-garantie ne sont pas applicables aux produits de consommation. Par exemple, (a) certaines juridictions n'autorisent pas l'exclusion ou la limitation des dommages accessoires ou indirects, la limitation ou l'exclusion susmentionnée peut ne pas s'appliquer à votre cas ; (b) en outre, certaines juridictions n'autorisent pas de limite sur la durée d'une garantie implicite, par conséquent la limite susmentionnée peut ne pas s'appliquer à votre cas ; et © en vertu de la loi, durant la période de garantie limitée, toute garantie implicite de qualité marchande ou d'adéquation à un usage particulier applicable aux produits de consommation achetés par des consommateurs, est susceptible de ne pas pouvoir être exclue ou autrement reniée.

Fabriqué par World Dryer Corporation, Berkeley, Illinois 60163 États-Unis.

**PROMPT RÉGLEMENT.** World Dryer s'engage à effectuer de bonne foi les rectifications ou autres ajustements prévus pour tout produit qui s'avère défectueux durant la période de garantie limitée. Pour tout produit jugé défectueux durant la période de garantie limitée, contacter tout d'abord le revendeur chez qui l'appareil a été acheté. Le revendeur fournira des instructions supplémentaires. S'il est impossible de résoudre le problème de façon satisfaisante, écrire à World Dryer à l'adresse ci-dessous, en indiquant le nom et l'adresse du revendeur, la date et le numéro de la facture du revendeur, ainsi que la nature du défaut constaté. Le titre et le risque de perte sont transmis à l'acheteur au moment de la livraison par le transporteur. Si le produit a été endommagé pendant le transport, une réclamation doit être adressée auprès du transporteur.



**WORLD DRYER**

5700 McDermott Drive  
Berkeley, IL 60163 États-Unis  
800-323-0701  
www.worlddryer.com